

# Hydraulic Magnetic Core Drill

## Type 2 1345 0020

Techn. Doc. No. 261



Illustration can differ from the original

# Repair Manual and Spare Parts List

## Repair

### Disassembly

Disassembly and re-assembly should only be performed with assistance of the sectional drawing and/or the exploded view. Observe the safety instructions of the operation and maintenance manual.

Do not disassemble the tool until you know whether the problem is in the power supply, the gearbox module, or the power and control (rear) module. Then only disassemble the tool as necessary to repair as required.

Keep contaminants such as dirt and grit away from the internal parts at all times.

Always determine and correct the cause of the problem prior to re-assembling. Further wear and tool failure can result, if the original cause is not corrected.

### Prior to disassembly

Clean the exterior of the tool.

Make sure to have all new seals so they can be replaced during re-assembly. Note the orientation of seals before removal. Install new seals in the same position as the original seals.

**Note:** Learn the particular installation direction and the assembly order of the parts from the technical drawings and parts lists of this instruction.

### Re-assembly

Before starting re-assembly check all parts for wear and replace them, if necessary. Wear parts are in particular o-rings, radial shaft seals and bearings.

### Spare parts

Only genuine SPITZNAS spare parts may be used. There is no warranty for damages and liability is disclaimed, if non-original spare parts and accessories are used.

<b>Spare Part List</b>					
Description: <b>Hydraulic- Magnetic Core Drill</b>			Part and drawing number: <b>2 1345 0020</b>		
Item	Qty.	Description	Part and drawing no:		Remarks
	1	Magnetic drill rig	2 1345 9500		see extra list
	1	Hydraulic drive unit	2 1345 1600		see extra list
	1	Depth limiter, assy.	2 1345 6500		see extra list
	1	Cooling bottle, assy.	2 1345 9300		see extra list
	1	Type plate	9 3101 0620		
	4	Round head grooved pin	9 1628 0040		
	1	Carrying case	9 9910 0080		
	1	Retaining chain, assy.	9 4902 0120		
	1	Warning sign	9 3102 0300		
	1	Drift bolt	9 2914 0020		
	1	Tool holder (industry)	9 2902 0300		
	1	Tool holder (industry)	9 2902 0310		
	1	Screw driver hexagonal SW 5	9 1314 0030		
	1	Screw driver hexagonal SW 6	9 1314 0050		

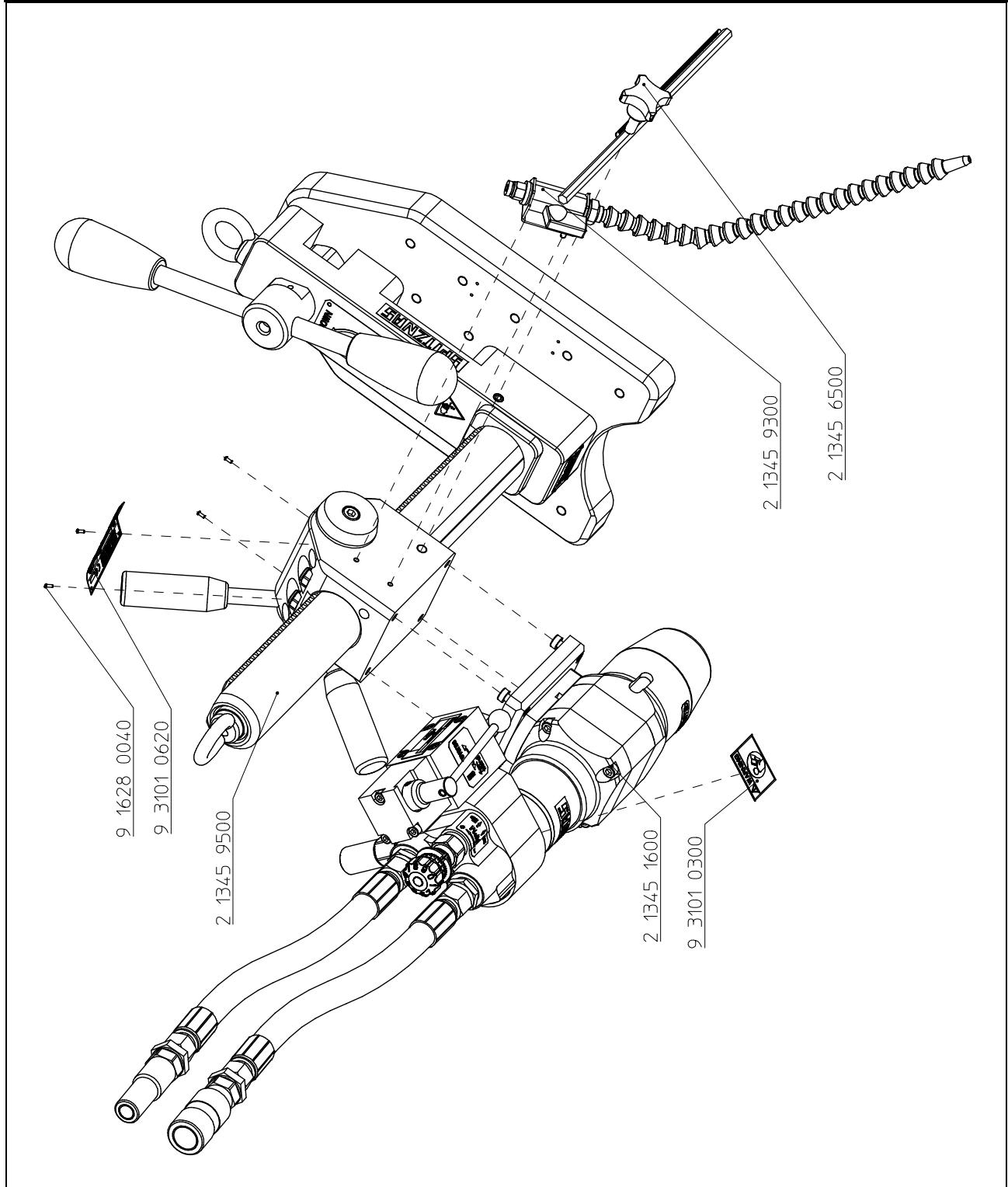
### Spare Part List

Description:

**Hydraulic- Magnetic Core Drill**

Part and drawing number:

**2 1345 0020**



<b>Spare Part List</b>					
Description:				Part and drawing number:	
<b>Magnetic Drill Rig</b>				<b>2 1345 9500</b>	
Item	Qty.	Description	Part and drawing no:		Remarks
1	1	Magnethousing	2 1345 9520		
2	22	Magnet	2 1345 9130		
3	22	Counter sunk screw	9 1113 5090		
4	1	Housing	2 1345 9510		
5	1	Nut	2 1345 9090		
6	1	Hexagonal nut	2 1345 9570		
7	1	Spindle	2 1345 9590		
8	1	Handle bar	2 1345 9680		
9	2	Handle	2 1345 9550		
10	1	Support	2 1345 9080		
11	2	Threaded pin with pivot	9 1147 5130		
14	1	Housing	2 1345 9560		
15	4	Hexagonal nut	9 1210 0010		
16	4	Threaded pin	9 1147 5150		
17	1	Locking pin	9 1650 0050		
18	2	Bearing bushing	9 1029 0720		
19	1	Feeder shaft	2 1345 9040		
20	3	Handle	2 1345 9210		
21	1	Adjusting washer	9 3331 1550		
22	1	Adjusting washer	9 3331 1560		
23	2	Adjusting screw	9 1164 0780		
24	2	Socket head screw	9 1110 5040		
25	1	End cap	2 1330 6100		
26	1	Socket head screw	9 1110 5450		
27	1	Socket head screw	9 1112 7120		
35	1	Nut	2 1345 9070		
36	2	Ring screw	9 1120 9050		
37	1	Stop ring	2 1345 9540		
38	1	Circlip	9 1704 0370		
39	1	Pressure spring	9 1803 5100		
40	1	Information sign	9 3104 0720		
41	2	Information sign	9 3104 0700		

### Spare Part List

Description: <p style="text-align: center;"><b>Magnetic Drill Rig</b></p>	Part and drawing number: <p style="text-align: center;"><b>2 1345 9500</b></p>
--	---

Item	Qty.	Description	Part and drawing no:		Remarks
43	12	Round head grooved pin	9 1628 0040		
44	1	Warning sign	9 3102 0310		
45	1	Warning sign	9 3102 0330		
46	2	Spitznas logo	9 3107 0080		
47	2	Quad-Ring	9 1913 0290		
48	1	Plastic ball	9 1018 0170		

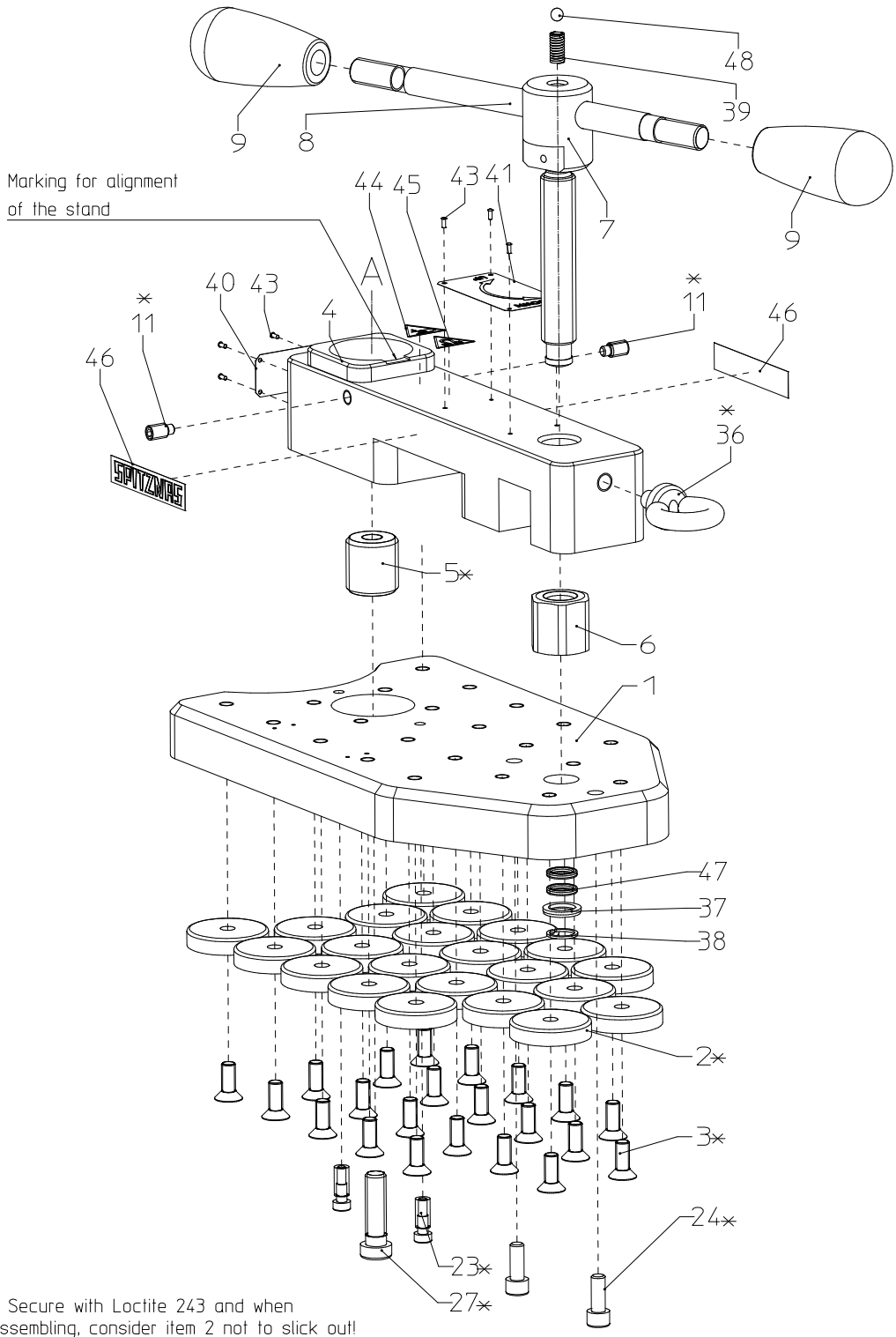
### Spare Part List

Description:

**Magnetic Drill Rig**

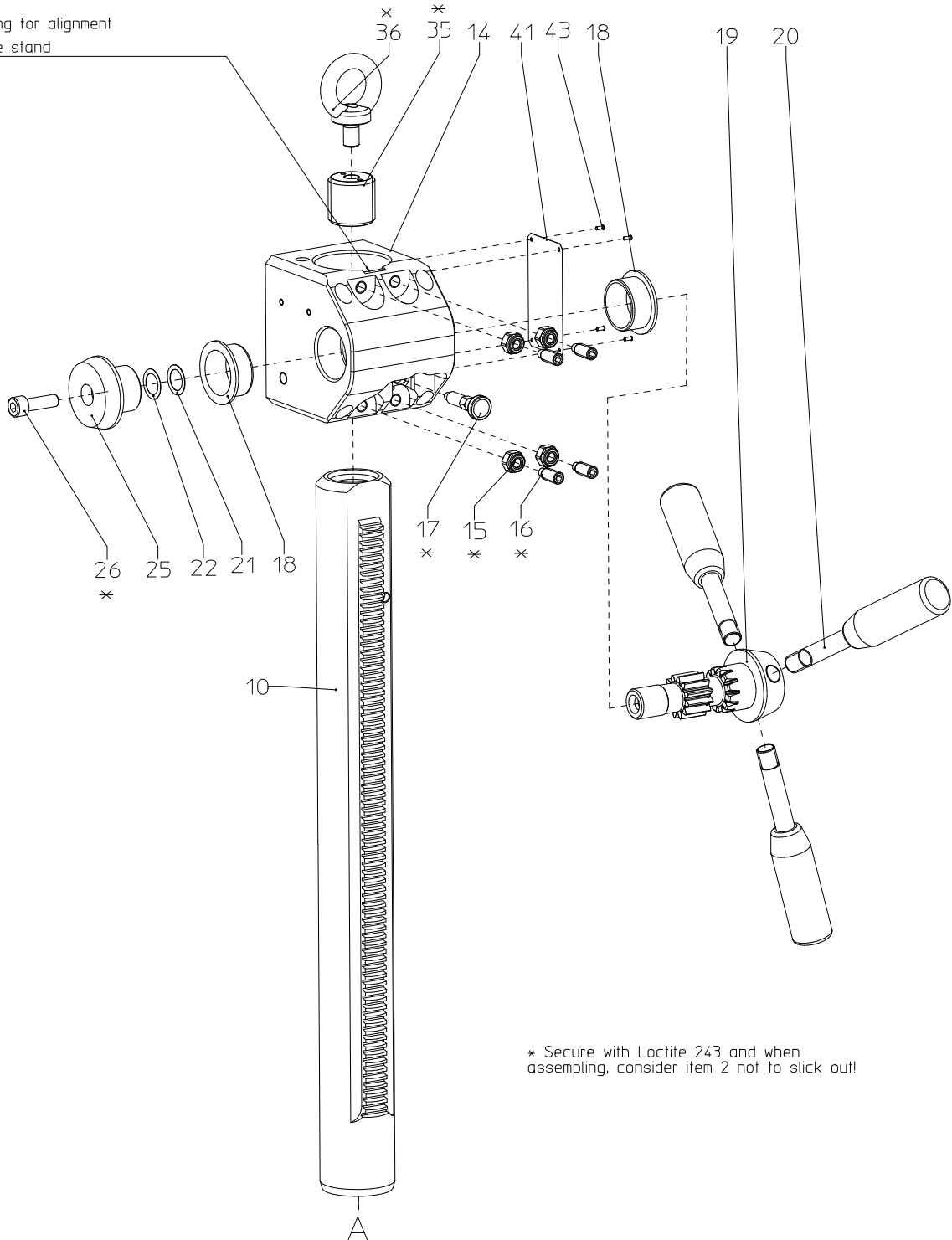
Part and drawing number:

**2 1345 9500**



<b>Spare Part List</b>	
Description:  <b>Magnetic Drill Rig</b>	Part and drawing number:  <b>2 1345 9500</b>

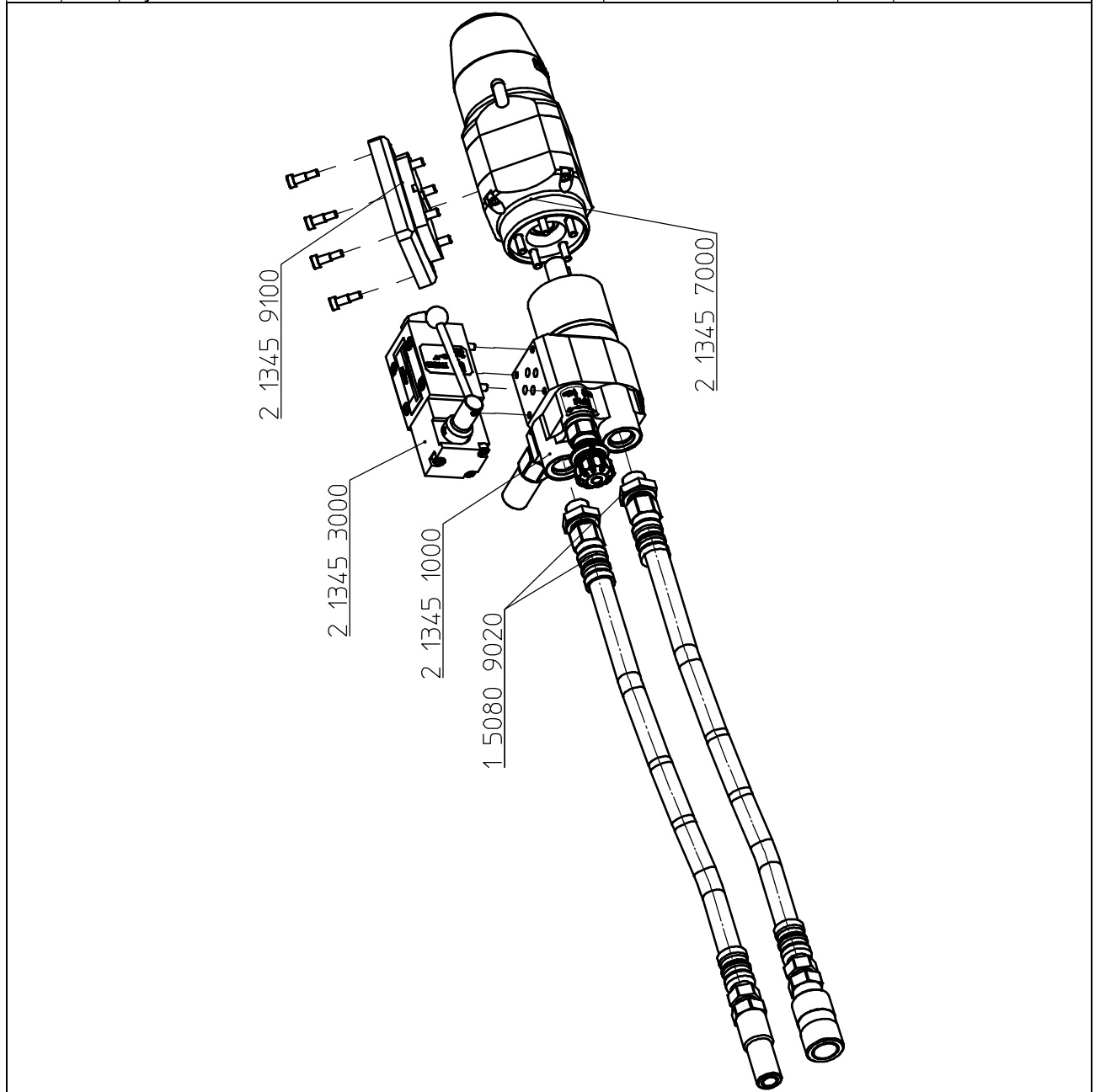
Marking for alignment  
of the stand





<b>Spare Part List</b>	
Description:	Part and drawing number:
<b>Hydraulic- Drive Unit</b>	<b>2 1345 1600</b>

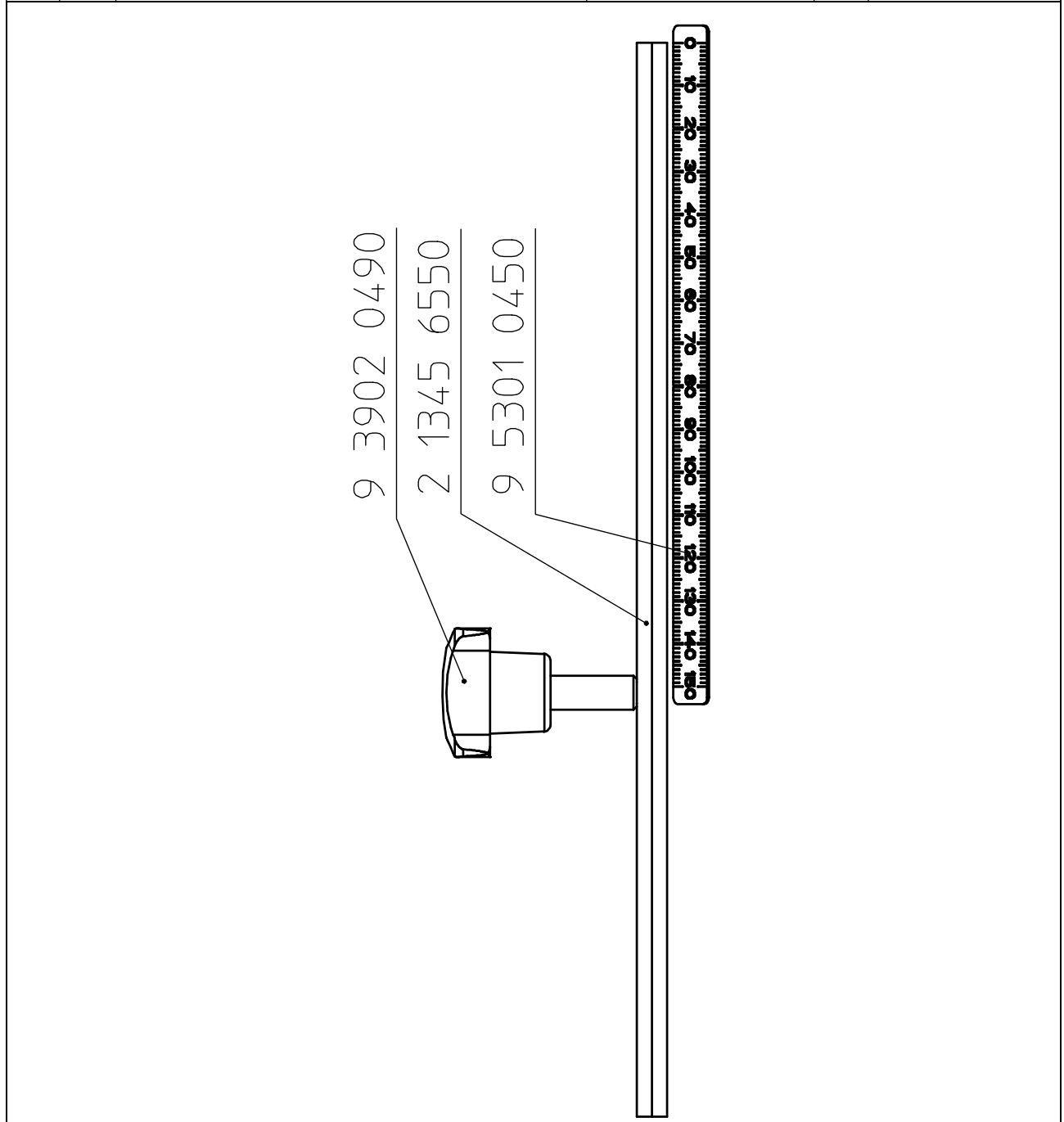
Item	Qty.	Description	Part and drawing no:	Remarks
	1	Adapter plate, assy.	2 1345 9100	see extra list
	1	Drive unit	2 1345 1000	see extra list
	1	Control	2 1345 3000	see extra list
	1	Output	2 1345 7000	see extra list
	1	Hydraulic hose set	1 5080 9020	



## Spare Part List

Description: <b style="text-align: center;">Depth Limiter, Assy.</b>	Part and drawing number: <b style="text-align: center;">2 1345 6500</b>
---	--

Item	Qty.	Description	Part and drawing no:	Remarks
	1	Depth stop	2 1345 6550	
	1	Star knob screw	9 3902 0490	
	1	Scale	9 5301 0450	



### Spare Part List

Description:

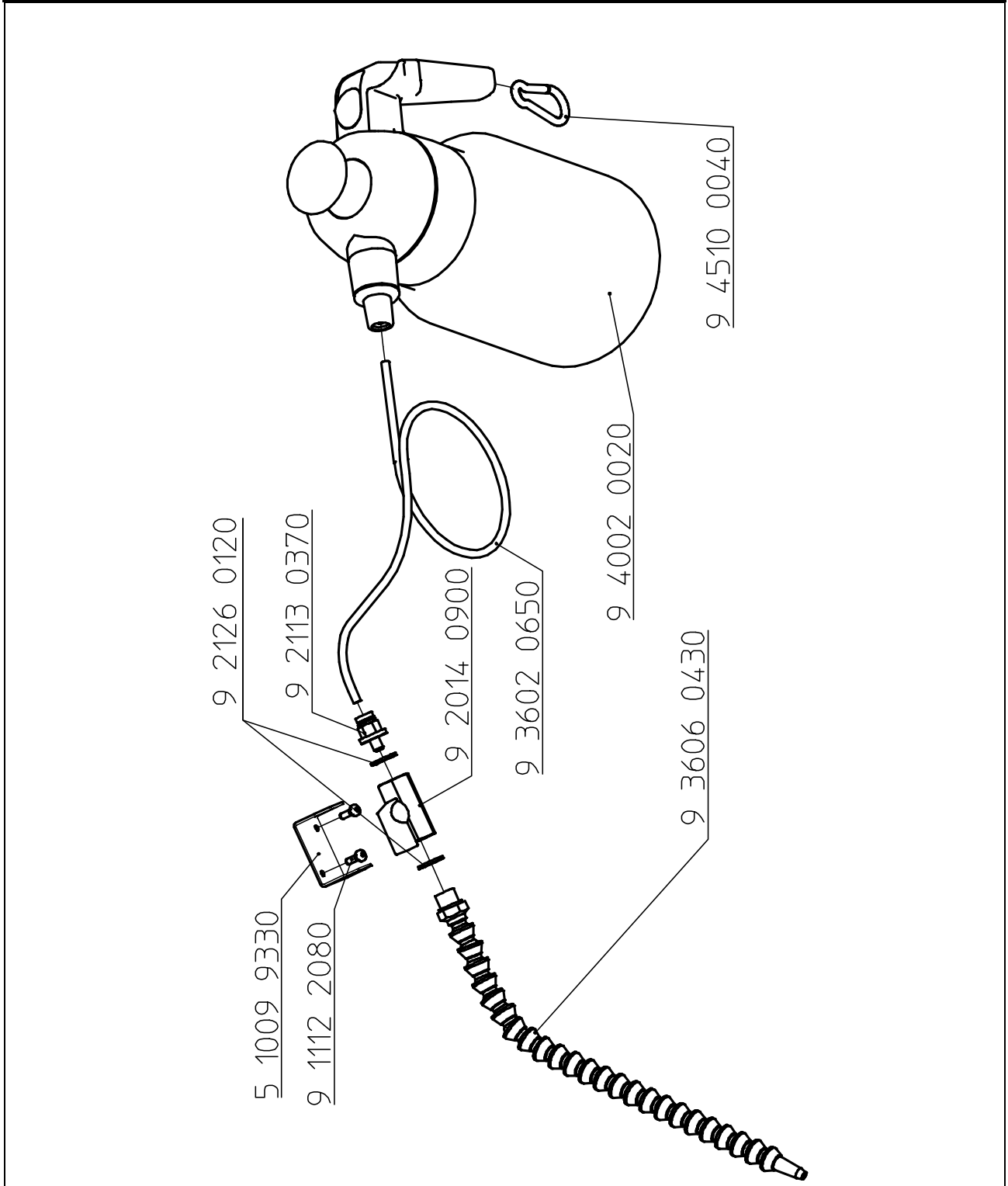
**Cooling Bottle, Assy.**

Part and drawing number:

**2 1345 9300**

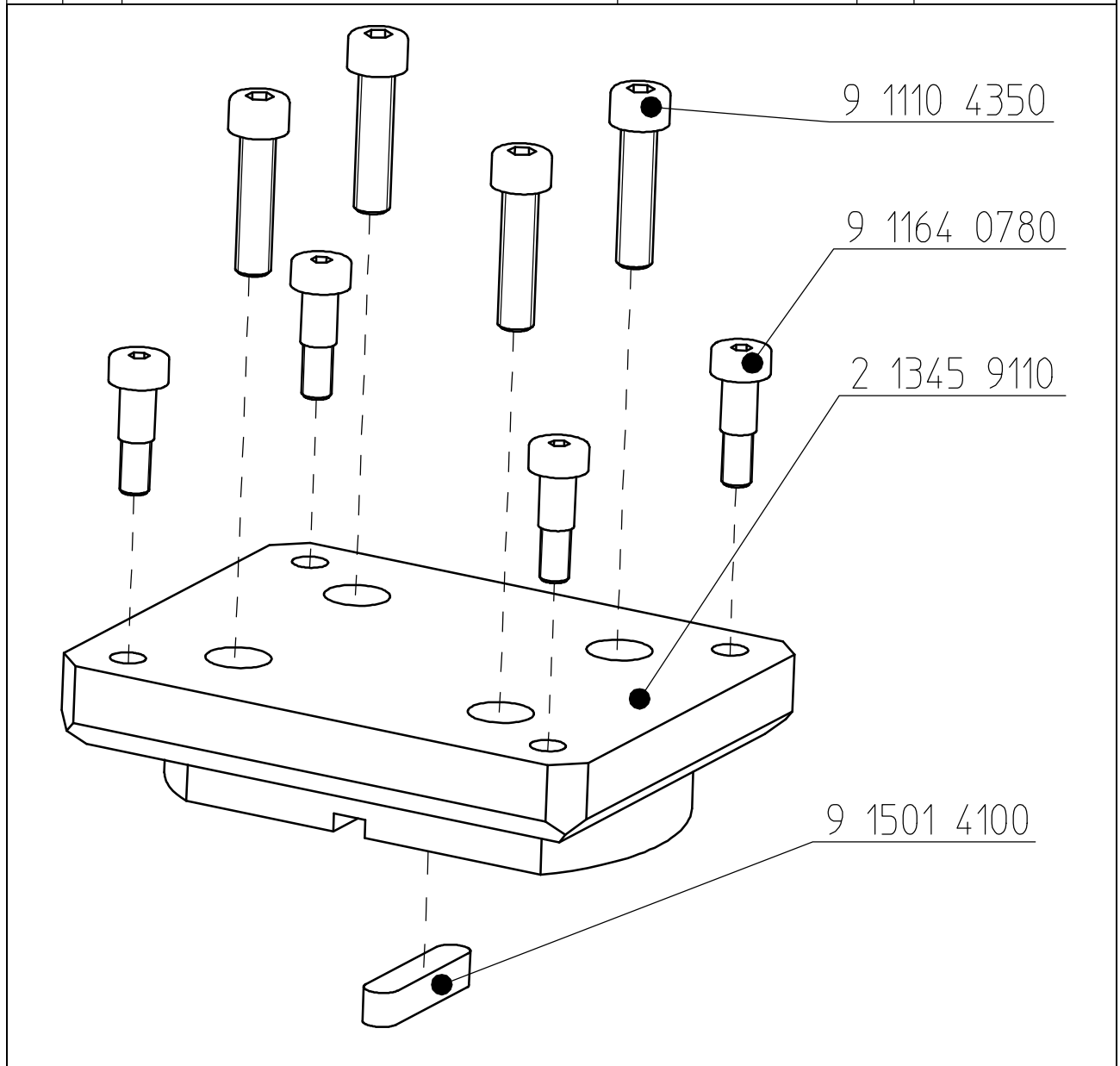
Item	Qty.	Description	Part and drawing no:	Remarks
	1	Pressure sprayer	9 4002 0020	
	1	Pneumatic hose	9 3602 0650	
	1	Fire brigade snap hook	9 4510 0040	
	1	Valve holder	5 1009 9330	
	2	Socket head screw	9 1112 2080	
	1	Ball valve hexagonal	9 2014 0900	
	2	Sealing	9 2126 0120	
	1	Straight screw fitting	9 2113 0370	
	1	Versatile jointed hose 1/4"	9 3606 0430	

<b>Spare Part List</b>	
Description:	Part and drawing number:
<b>Cooling Bottle, Assy.</b>	<b>2 1345 9300</b>



<b>Spare Part List</b>	
Description: <b>Adapter plate, Assy.</b>	Part and drawing number: <b>2 1345 9100</b>

Item	Qty.	Description	Part and drawing no:		Remarks
	1	Adapter plate	2 1345 9110		
	1	Feather key	9 1501 4100		
	4	Socketed head screw	9 1110 4350		
	4	Adjusting screw	9 1164 0780		





<b>Spare Part List</b>	
Description:  <p style="text-align: center;"><b>Drive unit</b></p>	Part and drawing number:  <p style="text-align: center;"><b>2 1345 1000</b></p>

Item	Qty.	Description	Part and drawing no:		Remarks
1	1	Hydraulic motor	9 5501 0170		
2	1	Motor cover	2 1345 1130		
3	1	Feather key	9 1501 3110		
4	5	Socked head screw	9 1171 9480		
5	1	Locking screw	9 1174 0030		
6	1	Pressure reducing valve	9 5501 0300		
7	1	Throttle valve	9 5501 0310		
8	1	Warning sign	9 3102 0320		
9	1	Information sign	9 3104 0740		

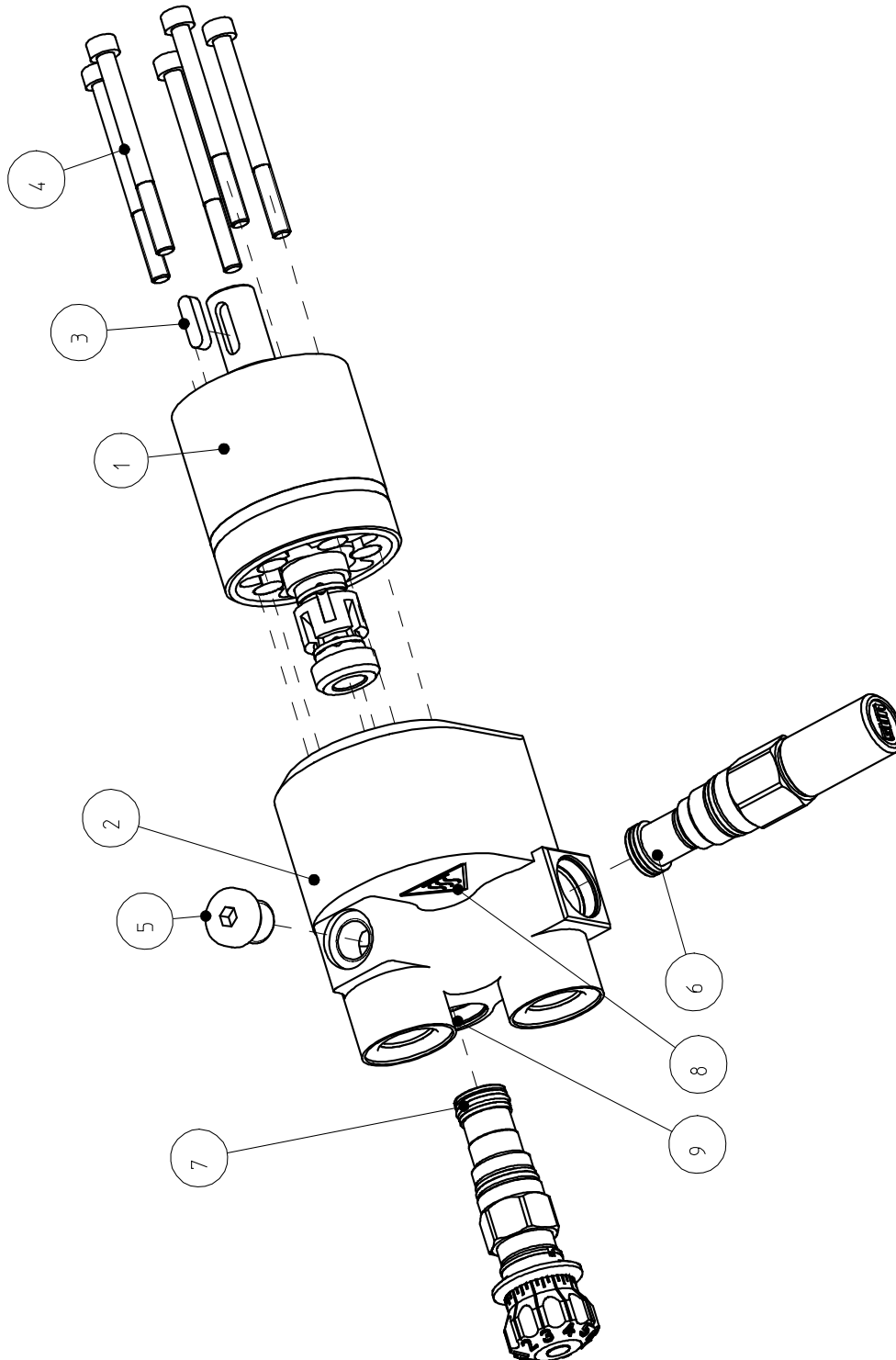
### Spare Part List

Description:

**Drive unit**

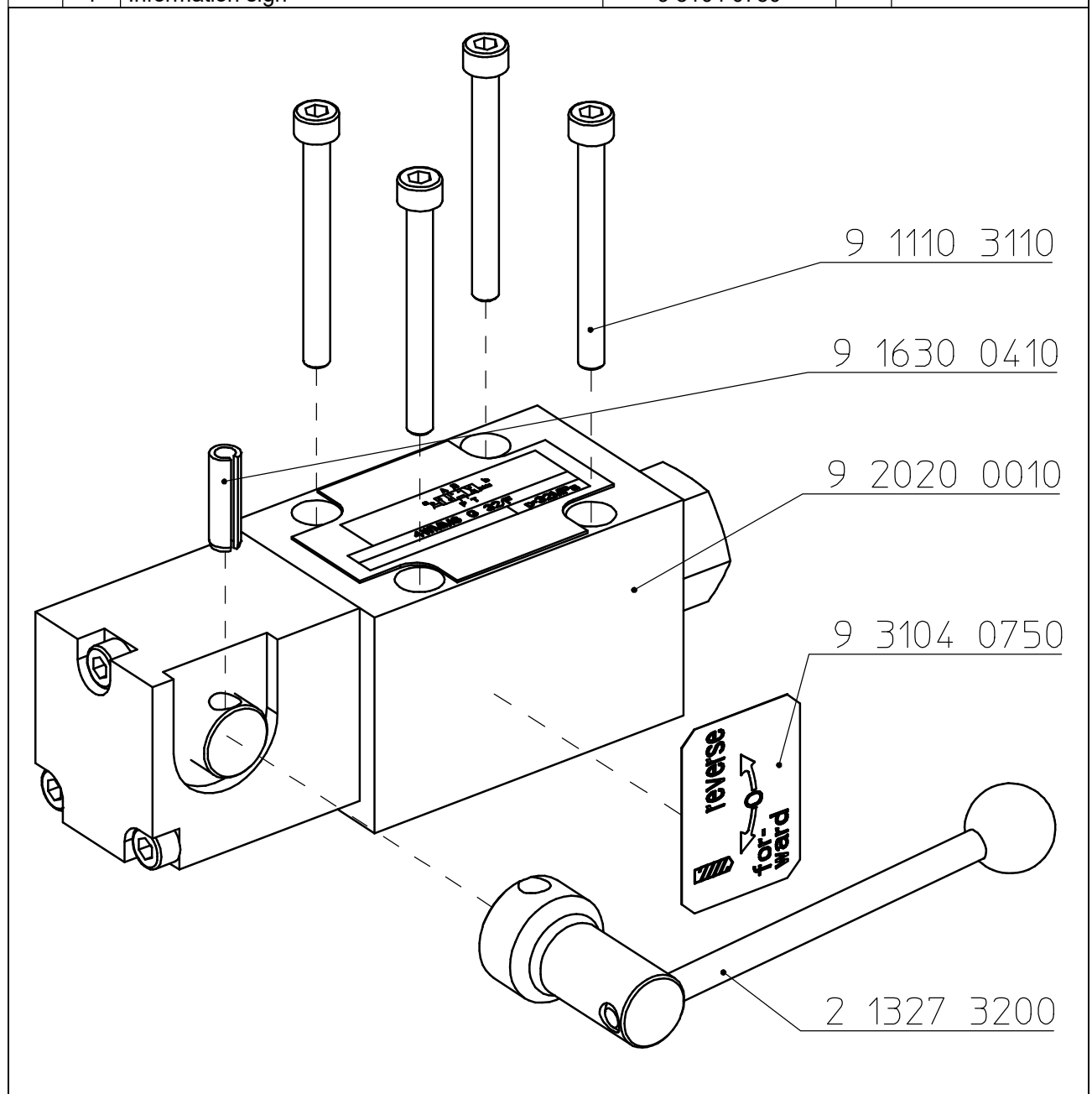
Part and drawing number:

**2 1345 1000**



<b>Spare Part List</b>				
Description: <b>Control</b>			Part and drawing number: <b>2 1345 3000</b>	

Item	Qty.	Description	Part and drawing no:		Remarks
	1	Direction control valve	9 2020 0010		
	1	Adapter shaft	2 1327 3200		
	1	Tension sleeve	9 1630 0410		
	4	Socketed head screw	9 1110 3110		
	1	Information sign	9 3104 0750		







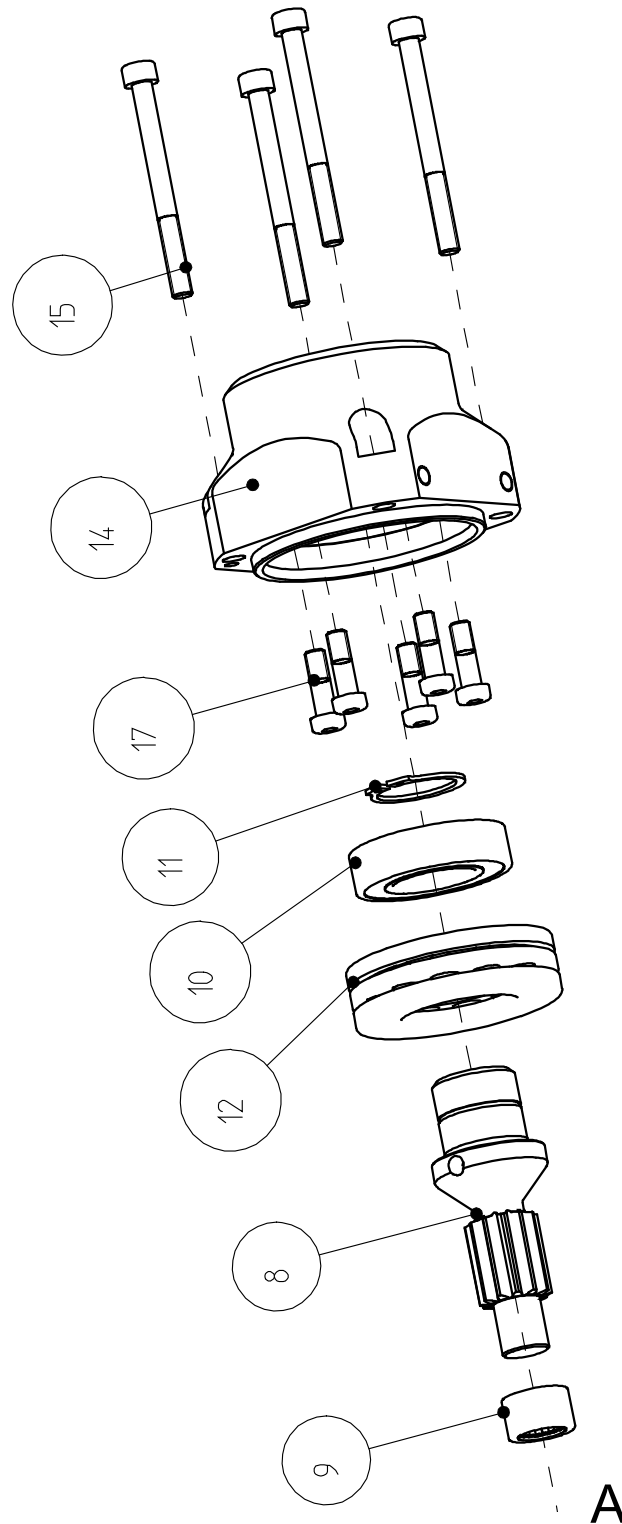
### Spare Part List

Description:

**Output MK3**

Part and drawing number:

**2 1345 7000**



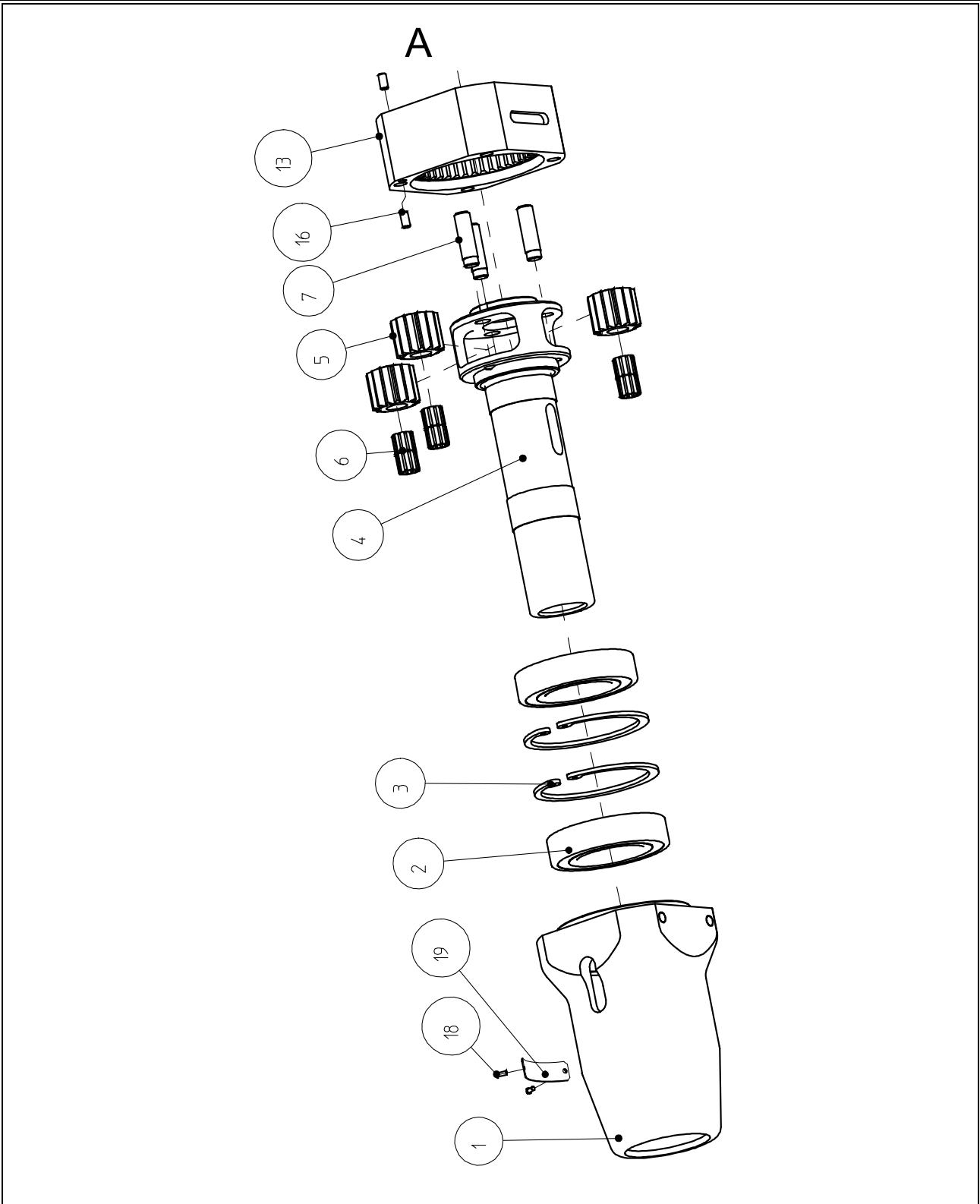
### Spare Part List

Description:

**Output MK3**

Part and drawing number:

**2 1345 7000**





CS Unitec, Inc.  
22 Harbor Ave, Norwalk, CT, 06850  
4330 Center St, Deer Park, TX, 77536

Tel.: +1 (203) 853-9522 / 800-700-5919  
Fax: (203) 853-9921  
E-Mail: [info@csunitec.com](mailto:info@csunitec.com)  
[www.csunitec.com](http://www.csunitec.com)